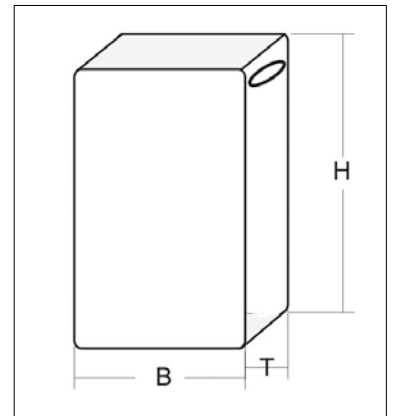


Packaging types for welding flux

Plastic bag 25 kg



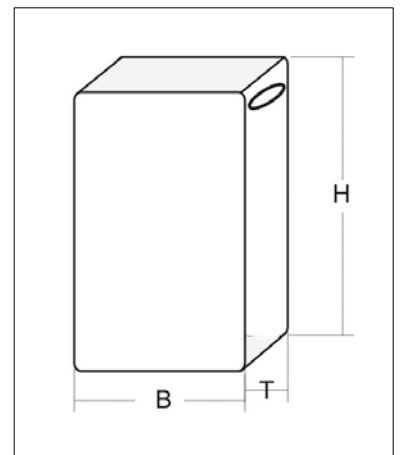
Material: Polyethylen (PE)
Measures: B 450 mm, H 500 mm, T 160 mm
Capacity: max. 25 kg



Aluminium bag 15 / 25 kg



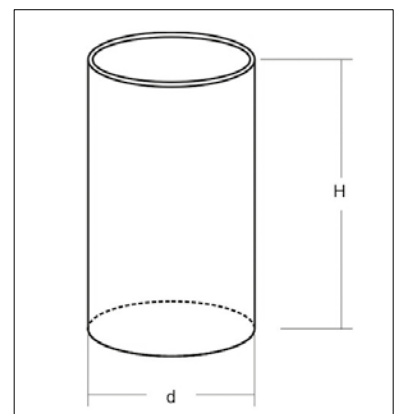
Material: PE-coated Aluminium bag
Measures: B 370 mm, H 620 mm, T 100 mm
Capacity: max. 25 kg



Drum 25 kg



Material: Steel
Measures: H 445 mm, d 300 mm
Capacity: max. 25 kg



Big Bag 400 – 625 kg and 1000 – 1250 kg



Material:
Polyprylene fabric (PP)

Big Bag (400-625 kg):
Measures: 910 mm x 910 mm x 600 mm

Big Bag (1000-1250 kg):
Measures: 910 mm x 910 mm x 1200 mm

Big Bag with Alu-Inliner 400 – 600 kg and 1000 – 1250 kg



Material:
PP fabric with aluminium inliner

Big Bag (400-600 kg):
Measures: 910 mm x 910 mm x 650 mm

Big Bag (1000-1250 kg):
Measures: 910 mm x 910 mm x 1250 mm